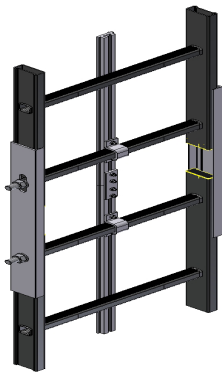


# AVANTI WIND TURBINE LADDER



## Strong Design

The AVANTI ladder is a rigid and safe structure used with tremendous success for nearly two decades throughout the wind industry. The design is optimised to ensure strength in the stiles, rungs and the connection between stile and rung. The ladder can be supplied with or without AVANTI's Fall Protection System, which is a rail system that can also be easily retrofitted to the ladder.



## Installation

Subject to the method of ladder installation in the wind tower, the ladder can be assembled from top to bottom with either fish plates or in addition to these with special stile connectors. The AVANTI engineers are happy to work with your specific tower configuration to establish a safe and cost efficient solution including a review on installation procedures.



Ladder with rest platform mounted with omega bracket.

## Material/Use

The ladder is made of aluminium, ENAW-6060 and can be installed inside and outside.

## Approvals

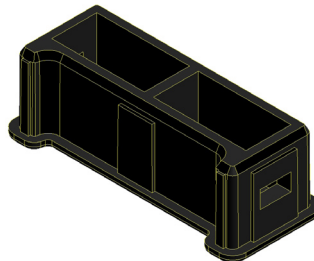
Approved and tested in accordance with EN 131-2, ISO14122, DIN18779-1, BS4211:2005, BS5395-3:1985 in Europe; AS1657 in Australia; ANSI A14.3-1992 in USA, the AVANTI ladder is used safely across the globe. Loaded at the center, the rung can resist a force of 150 kg. For special applications, the AVANTI ladder can be delivered with heavy duty stiles and/or rungs.

## Accessories/Spare Parts

A range of accessories can be supplied. This includes collapsible resting platforms, anchor points and fall protection rail.



Fish plate



End cap

AVANTI WIND SYSTEMS A/S  
Høgevej 17-19  
3400 Hillerød  
Denmark  
P: +45 4824 9024  
F: +45 4824 9124  
I: [www.avanti-online.com](http://www.avanti-online.com)  
E: [info@avanti-online.com](mailto:info@avanti-online.com)

AVANTI WIND SYSTEMS SL  
Poligono Industrial Centrovía  
Calle Los Angeles nº88 Nave 1  
50198 La Muela (Zaragoza)  
Spain  
P: +34 976 149 524  
F: +34 976 149 508

AVANTI WIND SYSTEMS  
Building 14  
Weishi Industrial Park  
No. 599 Zhongxin Road  
Dagang Town  
Songjiang District  
201614 Shanghai  
China  
P: +86 21 5785 8811  
F: +86 21 5785 8815

AVANTI WIND SYSTEMS, INC.  
5150 S. Towne Drive  
New Berlin  
Wisconsin 53151  
USA  
P: +1 262 641 9101  
F: +1 262 641 9161

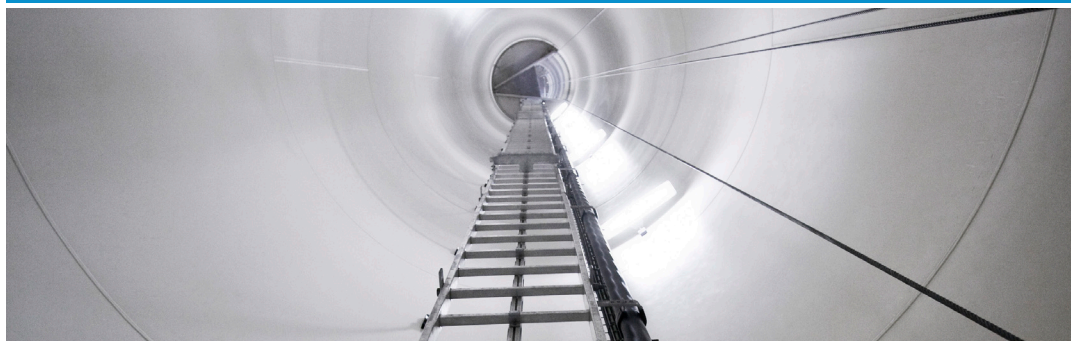
AVANTI WIND SYSTEMS, GmbH  
Weddingstedter Strasse 52  
25746 Heide  
Germany  
P: +49 481 4215 70 - 0  
F: +49 481 4215 70 - 29

AVANTI WIND SYSTEMS PTY LTD  
Unit 15 / 160 Lytton Road  
Morningside 4170  
Queensland  
Australia  
P: (+61) (0) 438 797 106

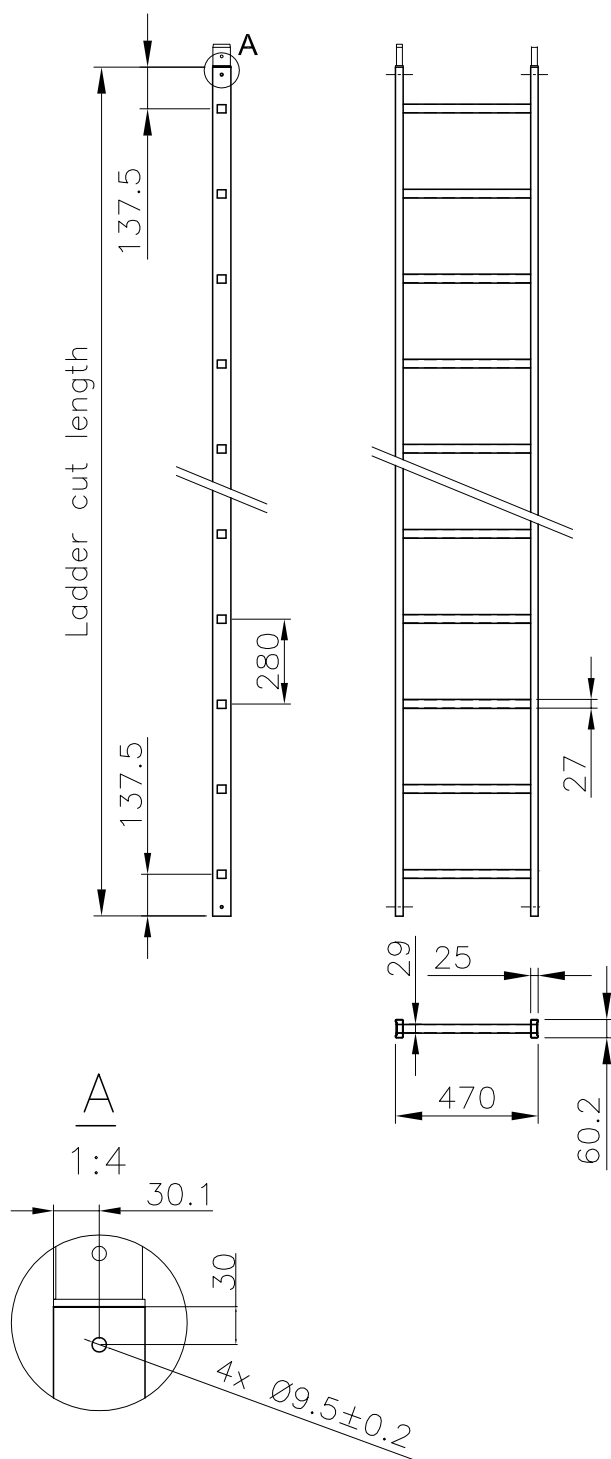
AVANTI WIND SYSTEMS LTD  
Caldershaw Business Centre,  
Unit 29  
Ings Lane, Rochdale  
OL12 7LQ  
United Kingdom  
P: (+44) (0) 1706 356 442

AVANTI WIND SYSTEMS (P) Ltd.  
Indus Valley's Logistic Park Unit 3  
Vellala Street  
Mel Aiyambakkam  
Chennai 600095. Tamil Nadu  
India

# AVANTI WIND TURBINE LADDER



## Ladder dimensions (mm)



AVANTI WIND SYSTEMS A/S  
 Høgevej 17-19  
 3400 Hillerød  
 Denmark  
 P: +45 4824 9024  
 F: +45 4824 9124  
 I: www.avanti-online.com  
 E: info@avanti-online.com

AVANTI WIND SYSTEMS SL  
 Poligono Industrial Centrovía  
 Calle Los Angeles nº88 Nave 1  
 50198 La Muela (Zaragoza)  
 Spain  
 P: +34 976 149 524  
 F: +34 976 149 508

AVANTI WIND SYSTEMS  
 Building 14  
 Weishi Industrial Park  
 No. 599 Zhongxin Road  
 Dagang Town  
 Songjiang District  
 201614 Shanghai  
 China  
 P: +86 21 5785 8811  
 F: +86 21 5785 8815

AVANTI WIND SYSTEMS, INC.  
 5150 S. Towne Drive  
 New Berlin  
 Wisconsin 53151  
 USA  
 P: +1 262 641 9101  
 F: +1 262 641 9161

AVANTI WIND SYSTEMS, GmbH  
 Weddingstedter Strasse 52  
 25746 Heide  
 Germany  
 P: +49 481 4215 70 - 0  
 F: +49 481 4215 70 - 29

AVANTI WIND SYSTEMS PTY LTD  
 Unit 15 / 160 Lytton Road  
 Morningside 4170  
 Queensland  
 Australia  
 P: (+61) (0) 438 797 106

AVANTI WIND SYSTEMS LTD  
 Caldershaw Business Centre,  
 Unit 29  
 Ings Lane, Rochdale  
 OL12 7LQ  
 United Kingdom  
 P: (+44) (0) 1706 356 442

AVANTI WIND SYSTEMS (P) Ltd.  
 Indus Valley's Logistic Park Unit 3  
 Vellala Street  
 Mel Aiyambakkam  
 Chennai 600095, Tamil Nadu  
 India  
 P: (+91) 44 6455 5911